

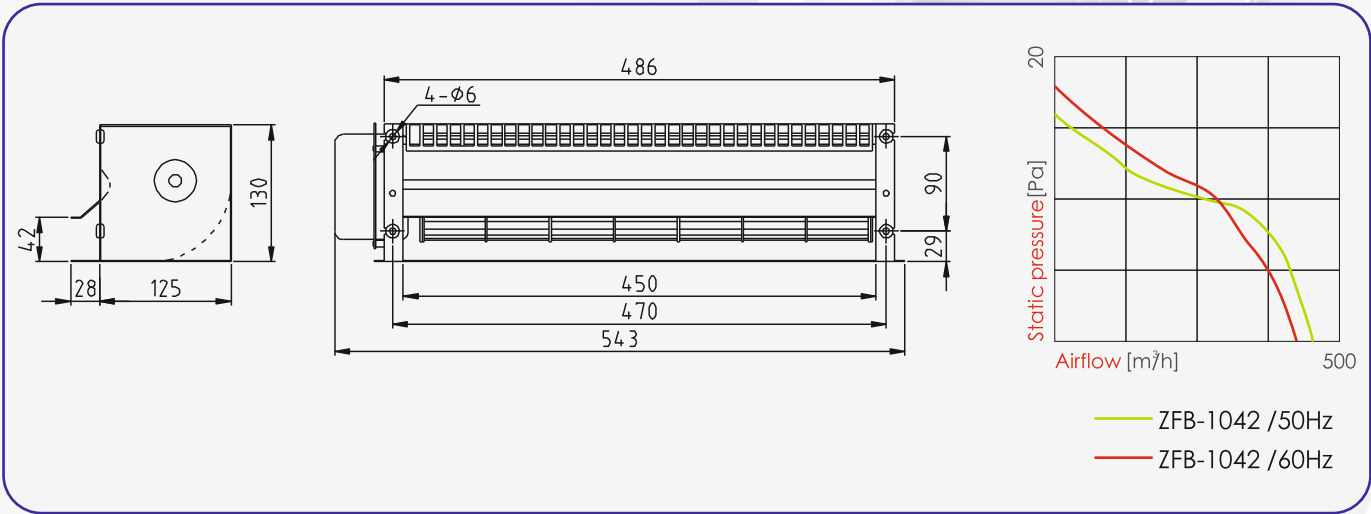
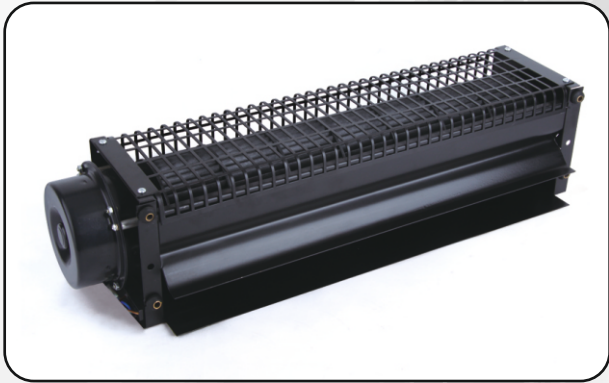


54, Annapurna Industrial Estate, Tilak Road,  
Ghatkopar (E), Mumbai - 400 077 India  
Tel: +91-22-21029911  
E-mail: sales@excellaelectronics.com

**BLOWER**

**E-450**

Item	Specification
Size	543 X 153 X 130mm
Motor	Capacitor Induction
Bearing	Ball
Impeller	Reinforced Plastic
Frame	Steel
Weight	4.0Kg
Operation Temp	-20°C ~60°C
Life	30000H



**TECHNICAL DETAILS:**

<b>MODEL</b>	ZFB - 1042
<b>Voltage VAC</b>	220
<b>Freq. (Hz)</b>	50/60
<b>Current (A)</b>	0.16/0.17
<b>Power (W)</b>	34/38
<b>Speed (RPM)</b>	1200/1150
<b>AIRFLOW (M<sup>3</sup>/H)</b>	440/420
<b>NOISE (dB)</b>	49